

Avant Fixed Seating Series >>>



- **Site Applications:** Stadium, Arena, Exhibition Center, University, Schools
- **Craft work:** High quality injection molded polypropylene back and base with fade resistant additives.
- **Support Structure:** The floor and riser mounting brackets are shaped by a press brake and receive quality powder coat for indoor use or hot galvanized coating for outdoor use.
- **Folding Mechanism:** A gravity folding mechanism ensures quiet, smooth, maintenance free operation. The seat base automatically folds up when the seat is vacated
- **Accessories:** Aluminum alloy plate with printed seat numbers are attached to the seat using aluminum pop rivets.
- **Installation:** Floor mount and riser mount use a shared support frame.
- **Options:** seat and row numbers are available
- **Guarantee:** All components are guaranteed for 3 years
- **Color Option:** AVANT Sports can provide various color options to meet customers requirement.

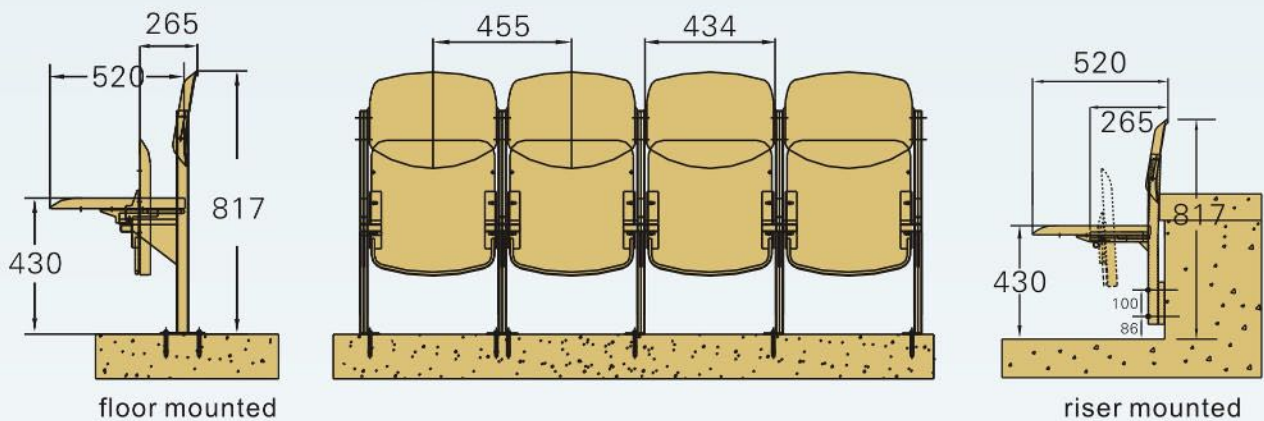


Patent No: 2013 3 0170240.2





Dimension of the seat



Product	Installation	Seat base height	Step depth
Shine	floor mounted	430mm	520mm
	riser mounted	430mm	520mm



Various color options

Recommended Colors(7Colors):



Optional Colors(10Colors):



Client Appointed Colors:

