

Avant Fixed Seating Series >>>



SALIN

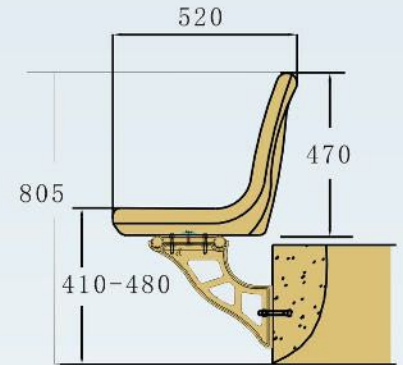
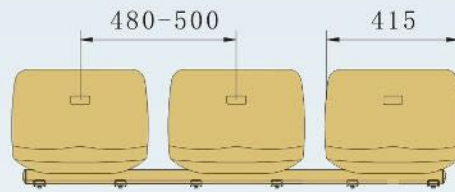
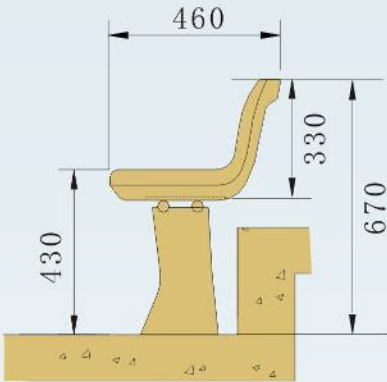
One piece

- **Sites Application:** Stadium, Arena, Football club, Metal Bleach system
- **Style:** A modern simple style with smooth lines and visual appeal. The ergonomic seat design ensures maximum comfort for extended periods of time.
- **Back and base:** Manufactured from high quality HDPE with anti-fire anti-UV, anti-oxidant and anti-static additives ensures the highest quality and performance. Steel threads cast into the base mold increase load ability and maximize strength. Drain holes in the base allow water to escape during rain. The back board has different height, will satisfied with the client all kinds of requirement.
- **Support Structure:** The floor and riser mounting brackets are cast from magnesium alloy and receive quality powder coat or hot galvanized surface coatings.





Dimension of the seat



Product	Installation	Seat base height	Step depth
Salin Non Back rest	simple mounted	430mm	400mm
	floor mounted	430mm	400mm
	riser mounted	430mm	400mm
Salin Low Back rest	simple mounted	430mm	420mm
	floor mounted	430mm	420mm
	riser mounted	430mm	420mm
Salin Middle Back rest	simple mounted	430mm	460mm
	floor mounted	430mm	460mm
	riser mounted	430mm	460mm
Salin High Back rest	simple mounted	430mm	520mm
	floor mounted	430mm	520mm
	riser mounted	430mm	520mm



Various color options

Recommended Colors(7Colors):



Optional Colors(10Colors):



Client Appointed Colors:

