

## Avant Fixed Seating Series >>>



- **Sites Application:** Stadium, Arena, Football Club, Metal Bleach System
- **Style:** A modern simple style with smooth lines and visual appeal. The ergonomic seat design ensures maximum comfort for extended periods of time.
- **Back and Base:** Manufactured from high quality HDPE with anti-fire anti-UV, anti-oxidant and anti-static additives ensures the highest quality and performance. Steel threads cast into the base mold increase load ability and maximize strength. Mechanical test passed the EN12727. Drain holes in the base allow water to escape during rain.
- **Support Structure:** The floor and riser mounting brackets are cast from magnesium alloy and receive quality powder coat or hot galvanized surface coatings.

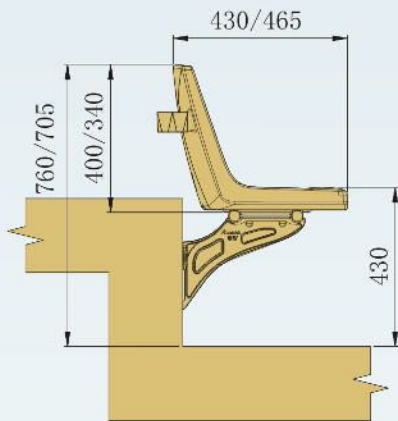


Patent No: 2011 3 0268490.0

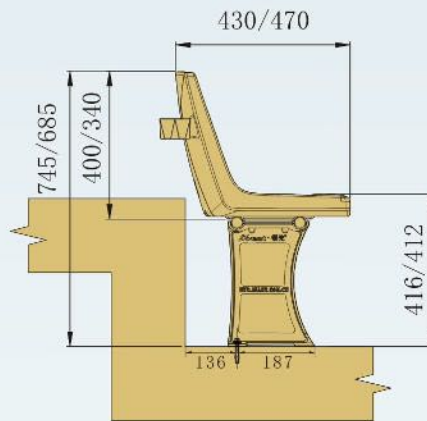




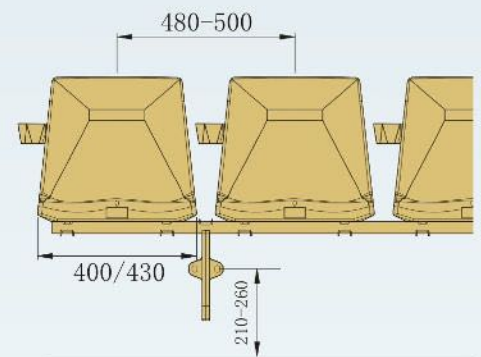
## Dimension of the seat



Riser Mounted



Floor Mounted



Product	Installation	Seat base height	Step depth
Diamond Middle Back rest	simple mounted	415mm	430mm
	floor mounted	430mm	430mm
	riser mounted	412mm	430mm
Diamond High Back rest	simple mounted	410mm	470mm
	floor mounted	430mm	470mm
	riser mounted	416mm	470mm

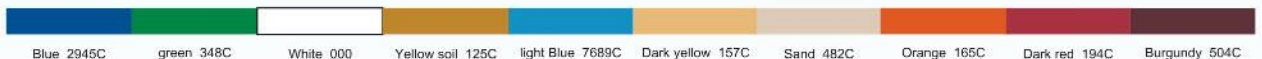


## Various color options

Recommended Colors(7Colors):



Optional Colors(10Colors):



Client Appointed Colors:

