

## Avant Fixed Seating Series >>>



## COOLIN-II

Fixed Folding Seating

- **Applications:** Stadium, Arena, Gym, Football Club, Metal Bleach system
- **Craft work:** Adopts a superior frequency conversion, multi-point, wall thickness control technique to ensure the products mold is uniform and the texture is smooth.
- **Backrest and base material:** High quality, heavy duty polyethylene (HDPE) with anti-UV, anti-oxidant and anti-static additives makes this seat a very high performer. Mechanical test passed EN12727.
- **Support structure:** CNC controlled tube bending and precise steel stamping of parts are fabricated by robotic welding. Mounting stanchions are coated with hot galvanized surfacing to ensure very high corrosion resistance.

- **Folding system:** A superior gravity folding system ensures no noise during the folding process. The folded thickness is 290mm, making it safe and convenient when evacuating.

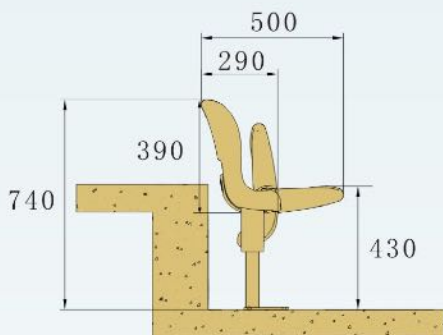


Patent No: 2010 3 0258129.5

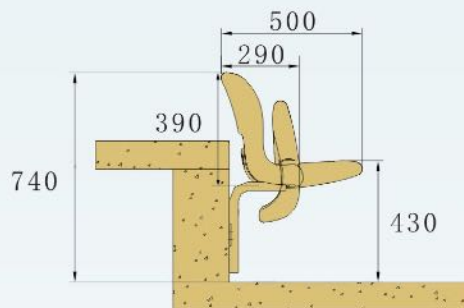




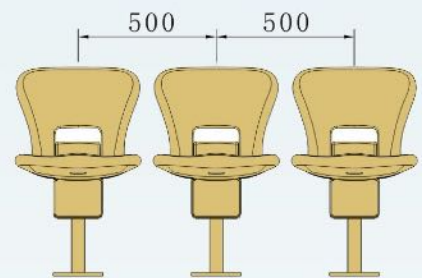
## Dimension of the seat



Floor Mounted



Riser Mounted



Product	Installation	Seat base height	Step depth
Coolin tip-up seat	floor mounted	430mm	500mm
	riser mounted	430mm	500mm



## Various color options

Recommended Colors(7Colors):



Optional Colors(10Colors):



Client Appointed Colors:

